

BOBCAT COMPANY PRICE PAGES NA VersaHANDLER® TTC - ATTACHMENTS



Please note the following when using Bobcat Price Pages:

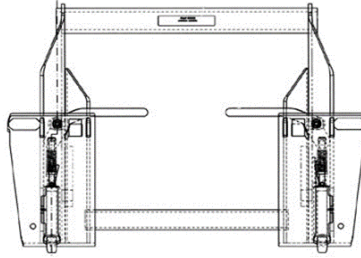
- All prices are shown in U.S. dollars.
- Check BobcatNET Pricing Homepage for current Canadian exchange rate.
- All Parts Pricing valid only for North America.
- Prices and specifications are subject to change without notice.

THE FOLLOWING UPDATES HAVE BEEN MADE TO THIS DOCUMENT:

Date	Description of Change
1/1/2015	Effective Thursday, Jan 1st, 2015 Bobcat Company has adjusted the SLP of select options and power units
2/26/2015	Removed part numbers 6810279, 6810283, 6810285, 6810287, 6810289, 6810291, 6812146, 6812150, 6812152, 6810221, 6810293, 6812148, 6810281, 6810299, 6810295
7/1/2015	Effective Wednesday, July 1st, 2015 Bobcat Company has adjusted the SLP of select attachment options.
11/5/2015	Added HS8 Spreader
2/24/2016	Removed PN 6810297 and 7140720. These products have been discontinued
7/1/2016	Effective Friday, July 1st 2016, Bobcat Company has adjusted the SLP of select attachment options
8/2/2016	Added V519 to attachments
8/15/2016	Added V519 to floating pallet forks
8/28/2016	Revised Spec disclaimer for consistency
4/20/2017	Added Combo Buckets Max Clamping Force Spec
6/30/2017	Added new 723 attachments & removed carriers that cannot be ordered
7/10/2017	Effective Monday, July 10st 2017, Bobcat Company has adjusted the SLP of select attachment options
1/1/2019	Effective Tuesday, January 1st, 2019 Bobcat Company has adjusted the SLP of select attachment options
9/24/2019	Removed all Snowblower Models from VersaHandler attachment lineup
10/1/2019	Converted Price Pages from Word into Excel
12/20/2019	Edited Footer to display 2020 Price Book
4/15/2020	Added 60" wide floating pallet forks
7/1/2020	Effective Wednesday July 2st, 2020 Bobcat Company has adjusted the SLP of select options and power units.

**Certain Specification(s) are based on engineering calculations and are not actual measurements. Specification(s) are provided for comparison purposes only and are subject to change without notice. Specification(s) for your individual Bobcat equipment will vary based on normal variations in design, manufacturing, operating conditions, and other factors.*

Adapter Frame
VersaHANDLER® TTC ATTACHMENT



Quick Specs

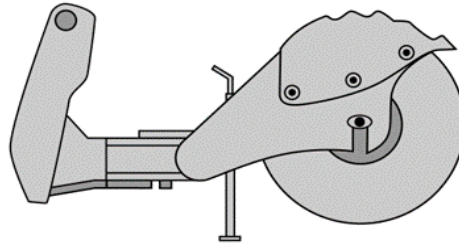
Operating Weight..... 225 lbs.

Part Number	Description	Attachment	SLP in US \$
(V723, V923) 6812846	VH Adapter Frame.....		\$1,314.00

Destination Charge
 Refer to BobQuote or BobcatNET>>Other Resources>>Pricing Homepage for current Destination and Fuel Charges

Attachment	Assembly Required	Installation Time (Hrs)
Adapter Frame.....	None.....	-

Angle Broom
VersaHANDLER® TTC ATTACHMENT



Quick Specs

- 84"**
- Operating Weight..... 944 lbs.
 - Sweep Width Straight..... 84"
 - Sweep Width Fully Angled..... 77" @ 25°
 - Broom Angling..... Hydraulic Cylinder
 - Oscillation..... Fixed
 - Drive System..... Hydraulic Motor
Direct Drive
 - Flow Range..... 15-28 GPM
 - Broom Bristle Diameter..... 32"
 - Bristle Material..... Poly Orange HD
 - Number of Bristle Sections..... 44 Zig-Zag, 2 Straight

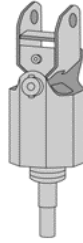
Part Number	Description	Attachment	SLP in US \$
(V519) 7337715	84" Angle Broom (VersaHandler must be equipped with Attachment Control Kit to operate Angle Broom)		\$6,359.00

Destination Charge

Refer to BobQuote or BobcatNET>>Other Resources>>Pricing Homepage for current Destination and Fuel Charges

Attachment	Assembly Required	Installation Time (Hrs)
Angle Broom.....	None.....	-

Auger VersaHANDLER® TTC ATTACHMENT



Quick Specs

	<u>Model</u> 15C	<u>Model</u> 15H	<u>Model</u> 30C	<u>Model</u> 30H	<u>Model</u> 35PH
Ship Weight (Auger Drive).....	245 lbs.	241 lbs.	263 lbs.	257 lbs.	325 lbs.
Ship Weight (Mtg. Frame).....	189 lbs.	189 lbs.	189 lbs.	189 lbs.	189 lbs.
Operating Weight (less bit).....	374 lbs.	370 lbs.	392 lbs.	386 lbs.	454 lbs.
Digging Depth (without extensions).....	62"	62"	62"	62"	72"
Shaft Diameter - Round.....	2.5"	-	2.5"	-	-
Shaft Diameter - Hex.....	2.0"	2.0"	2.0"	2.0"	2.5"
RPM					
@ 12 gpm (45 L/min.).....	57 rpm	57 rpm	-	-	-
@ 17 gpm (64 L/min.).....	80 rpm	80 rpm	41 rpm	41 rpm	-
@ 18 gpm (68 L/min.).....	-	-	-	-	46 rpm
@ 21 gpm (70 L/min.).....	99 rpm	99 rpm	51 rpm	51 rpm	-
@ 22 gpm (83 L/min.).....	-	-	-	-	56 rpm
@ 23 gpm (87 L/min.).....	109 rpm	109 rpm	56 rpm	56 rpm	-
@ 26 gpm (98 L/min.).....	-	-	-	-	64 rpm
@ 30 gpm (114 L/min.).....	-	-	70 rpm	70 rpm	77 rpm
@ 32 gpm (121 L/min.).....	-	-	-	-	82 rpm
@ 34 gpm (129 L/min.).....	-	-	-	-	87 rpm
@ 36 gpm (136 L/min.).....	-	-	-	-	92 rpm
@ 37 gpm (140 L/min.).....	-	-	90 rpm	90 rpm	-
@ 38 gpm (144 L/min.).....	-	-	-	-	98 rpm
Torque					
@ 2000 psi (19,788 kPa).....	1,300 ft.lb. (1,763 Nm)	1,300 ft.lb. (1,763 Nm)	2,520 ft.lb. (3,417 Nm)	2,520 ft.lb. (3,417 Nm)	2,387 ft.lb. (3,237 Nm)
@ 2400 psi (16,547 kPa).....	1,560 ft.lb. (2,115 Nm)	1,560 ft.lb. (2,115 Nm)	3,024 ft.lb. (4,100 Nm)	3,024 ft.lb. (4,100 Nm)	2,864 ft.lb. (3,884 Nm)
@ 2600 psi (17,926 kPa).....	-	-	-	-	3,103 ft.lb. (4,208 Nm)
@ 2700 psi (18,616 kPa).....	1,775 ft.lb. (2,379 Nm)	1,775 ft.lb. (2,379 Nm)	3,402 ft.lb. (4,213 Nm)	3,402 ft.lb. (4,213 Nm)	-
@ 3000 psi (20,684 kPa).....	1,950 ft.lb. (2,644 Nm)	1,950 ft.lb. (2,644 Nm)	3,780 ft.lb. (5,125 Nm)	3,780 ft.lb. (5,125 Nm)	-
@ 3200 psi (22,753 kPa).....	-	-	-	-	3,819 ft.lb. (5,179 Nm)
@ 3300 psi (22,753 kPa).....	2,415 ft.lb. (2,908 Nm)	2,415 ft.lb. (2,908 Nm)	4,158 ft.lb. (5,638 Nm)	4,158 ft.lb. (5,638 Nm)	-

Auger

VersaHANDLER[®] TTC ATTACHMENT

@ 3500 psi (24,132 kPa)..... 2,275 ft.lb. 2,275 ft.lb. 4,410 ft.lb. 4,410 ft.lb. 4,177 ft.lb.
 (3,084 Nm) (3,084 Nm) (5,979 Nm) (5,979 Nm) (5,664 Nm)

Part Number	Attachment Description	SLP in US \$
(V519) 6809442	Model 15C Auger Drive Unit (Must also order Mounting Frame and Bit)	\$1,817.00
7145345	Model 15H Hex Shaft Auger Drive Unit (Must also order Mounting Frame and Bit)	\$1,817.00
6809445	Model 30C Auger Drive Unit (Must also order Mounting Frame and Bit)	\$2,375.00
7138264	Model 30H Hex Shaft Auger Drive Unit (Must also order Mounting Frame and Bit)	\$2,375.00
7220280	Model 35PH Auger Drive Unit (Must also order Mounting Frame and Bit)	\$3,717.00

Part Number	Dealer Installed Accessories - Order From Sales Description
-------------	---

Must order Mounting Frame or Adapter Frame

V519 6812980	Auger 15C/H, 30C/H Mounting Frame (Includes Mounting Hardware)	\$420.00
V519 7223507	35PH Mounting Frame (Includes Mounting Hardware)	\$501.00

Auger

VersaHANDLER® TTC ATTACHMENT

Part Number	Dealer Installed Accessories - Order From Parts Description
-------------	---

For current Dealer Installed Accessories pricing, reference BobQuote or Dealer Parts Department.

Standard Auger Bits & Accessories

Charcoal Color, Round Drive, 49" Length, Double Flight, Variable Tooth Angle: 40° or 50°

6666891	6" Bit..... (Ship Weight 60 lbs.)	Parts	\$ ____
6666892	9" Bit..... (Ship Weight 91 lbs.)	Parts	\$ ____
6666893	12" Bit..... (Ship Weight 128 lbs.)	Parts	\$ ____
6666894	15" Bit..... (Ship Weight 119 lbs.)	Parts	\$ ____
6666895	18" Bit..... (Ship Weight 160 lbs.)	Parts	\$ ____
6666896	24" Bit..... (Ship Weight 203 lbs.)	Parts	\$ ____
6666897	30" Bit..... (Ship Weight 275 lbs.)	Parts	\$ ____
6666898	36" Bit (Model 15 & 30)..... (Ship Weight 380 lbs.)	Parts	\$ ____
6666899	18" Tree Planting Bit..... (Ship Weight 140 lbs.)	Parts	\$ ____
6666900	24" Tree Planting Bit..... (Ship Weight 162 lbs.)	Parts	\$ ____
6666901	30" Tree Planting Bit..... (Ship Weight 236 lbs.)	Parts	\$ ____
6666902	36" Tree Planting Bit..... (Ship Weight 305 lbs.)	Parts	\$ ____

Heavy Duty Auger Bits

Orange Color, Hex Drive, 42" Length, Single Flight

6674957	6" Bit..... (If installed on a 15C or 30C Auger drive unit, a 5/8" Pin Kit P/N 6809733 is required)(Ship Weight 46 lbs.)	Parts	\$ ____
6674958	9" Bit..... (If installed on a 15C or 30C Auger drive unit, a 5/8" Pin Kit P/N 6809733 is required)(Ship Weight 59 lbs.)	Parts	\$ ____
6674959	12" Bit..... (If installed on a 15C or 30C Auger drive unit, a 5/8" Pin Kit P/N 6809733 is required)(Ship Weight 76 lbs.)	Parts	\$ ____
6674960	16" Bit..... (If installed on a 15C or 30C Auger drive unit, a 5/8" Pin Kit P/N 6809733 is required)(Ship Weight 97 lbs.)	Parts	\$ ____
6675034	18" Bit..... (If installed on a 15C or 30C Auger drive unit, a 5/8" Pin Kit P/N 6809733 is required)	Parts	\$ ____
6674961	20" Bit..... (If installed on a 15C or 30C Auger drive unit, a 5/8" Pin Kit P/N 6809733 is required)(Ship Weight 117 lbs.)	Parts	\$ ____
6674962	24" Bit..... (If installed on a 15C or 30C Auger drive unit, a 5/8" Pin Kit P/N 6809733 is required)(Ship Weight 151 lbs.)	Parts	\$ ____
6674963	30" Bit..... (If installed on a 15C or 30C Auger drive unit, a 5/8" Pin Kit P/N 6809733 is required)(Ship Weight 193 lbs.)	Parts	\$ ____

Auger

VersaHANDLER®TTC ATTACHMENT

Part Number	Dealer Installed Accessories - Order From Parts Description
-------------	---

For current Dealer Installed Accessories pricing, reference BobQuote or Dealer Parts Department.

6674964	36" Bit (If installed on a 15C or 30C Auger drive unit, a 5/8" Pin Kit P/N 6809733 is required)(Ship Weight 270 lbs.)	Parts	\$ ____
6674965	42" Bit (If installed on a 15C or 30C Auger drive unit, a 5/8" Pin Kit P/N 6809733 is required)(Ship Weight 302 lbs.)	Parts	\$ ____

Rock Auger Bits
White Color, Hex Drive, 42" Length, Single Flight

7169665	6" Bit (Ship Weight 64 lbs.)	Parts	\$ ____
7169666	9" Bit (Ship Weight 78 lbs.)	Parts	\$ ____
7169667	12" Bit (Ship Weight 102 lbs.)	Parts	\$ ____
7169668	16" Bit (Ship Weight 123 lbs.)	Parts	\$ ____
7169669	18" Bit (Ship Weight 149 lbs.)	Parts	\$ ____
7169670	20" Bit (Ship Weight 152 lbs.)	Parts	\$ ____
7169671	24" Bit (Ship Weight 195 lbs.)	Parts	\$ ____
7169672	30" Bit (Ship Weight 225 lbs.)	Parts	\$ ____

Heavy Duty Auger Bits -35PH Auger Drive
Orange Color, Hex Drive, 42" Length, Single Flight

7243233	8" Bit (Ship Weight 115 lbs.)	Parts	\$ ____
7243234	12" Bit (Ship Weight 130 lbs.)	Parts	\$ ____
7243235	18" Bit (Ship Weight 165 lbs.)	Parts	\$ ____
7243236	24" Bit (Ship Weight 225 lbs.)	Parts	\$ ____
7243237	30" Bit (Ship Weight 295 lbs.)	Parts	\$ ____
7243238	36" Bit (Ship Weight 350 lbs.)	Parts	\$ ____
7243239	48" Bit (Ship Weight 495 lbs.)	Parts	\$ ____

Auger
VersaHANDLER®TTC ATTACHMENT

Part Number	Dealer Installed Accessories - Order From Parts Description
--------------------	--

For current Dealer Installed Accessories pricing, reference BobQuote or Dealer Parts Department.

Rock Auger Bits - 35PH Auger Drive

7243240	8" Bit..... (Ship Weight 118 lbs.)	Parts	\$ ____
7243241	12" Bit..... (Ship Weight 130 lbs.)	Parts	\$ ____
7243242	18" Bit..... (Ship Weight 165 lbs.)	Parts	\$ ____
7243243	24" Bit..... (Ship Weight 210 lbs.)	Parts	\$ ____
7243244	30" Bit..... (Ship Weight 300 lbs.)	Parts	\$ ____

Part Number	Dealer Installed Accessories - Order From Parts Description
--------------------	--

Heavy Duty Auger Bits Accessories/Rock Auger Bits

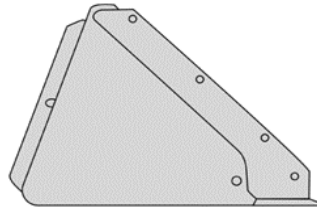
6809733	5/8" (.625) PIN KIT..... (Used for retention of hex bits on 15C and 30C Auger drive units) (Ship Weight 11 lbs.)	Parts	\$ ____
6679807	48" ADJUSTABLE HEX EXTENSION..... (For Model 15H, 15C, 30H and 30C Augers) (Ship Weight 48 lbs.)	Parts	\$ ____
6662876	24" ADJUSTABLE HEX EXTENSION..... (For Model 15H, 15C, 30H and 30C Augers) (Ship Weight 33 lbs.)	Parts	\$ ____
6662874	ROUND SHAFT TO HEX BIT ADAPTER, CAST..... (For Model 15 & 30 Augers with Round Output Shaft) (Ship Weight 19 lbs.)	Parts	\$ ____
6662875	HEX SHAFT TO ROUND BIT ADAPTER, CAST..... (For Model 15H, 15C, 30H and 30C Augers with Hex Output Shaft) (Ship Weight 20 lbs.)	Parts	\$ ____
7137091	HEX SHAFT TO ROUND BIT ADAPTER, SLEEVE..... (For Model 15H, 15C, 30H and 30C Augers with Hex Output Shaft) (5/8" Pin Kit P/N 6809733 is required.) (Sleeve slides over hex shaft, converting it to round) (Ship Weight 3 lbs.)	Parts	\$ ____
7243729	48" ADJUSTABLE HEX EXTENSION..... (For 35PH Auger Drives) (Shipping Weight 105lbs.)	Parts	\$ ____

Destination Charge
Refer to BobQuote or BobcatNET>>Other Resources>>Pricing Homepage for current Destination and Fuel Charges

Attachment	Assembly Required	Installation Time (Hrs)
-------------------	--------------------------	--------------------------------

Auger..... Assemble drive unit to mounting frame and install bit.....		0.50
---	--	-------------

Bucket
VersaHANDLER®TTC ATTACHMENT



Attachment		Oper.		
Part Number	Description	SAE Heaped Capacity (YD)	WGT. (lbs.)	SLP IN US \$
(V519)				
7326128	86" Severe Duty Bucket (•).....	26.2	849	\$1,735.00
7326127	92" Severe Duty Bucket (•).....	27.5	892	\$1,842.00
7279105	98" Light Material Bucket (••).....	53.8	914	\$1,945.00
(V723, V923)				
7329888	93" General Purpose Bucket.....	1.0	919	\$2,628.00
7338655	96" Light Material Bucket (•••).....	2.5	1,554	\$3,250.00
7338662	96" Light Material XL Bucket (•••).....	3.2	1,753	\$4,131.00

- (•) Buckets have holes predrilled to accept bolt-on teeth
- (••) Bucket has holes predrilled to accept bolt-on cutting edges
- (•••) Bucket has bolt-on cutting edge

Part Number	Dealer Installed Accessories - Order From Parts Description
--------------------	--

For current Dealer Installed Accessories pricing, reference BobQuote or Dealer Parts Department.

7355991	Short Bolt-on Teeth Kit..... Parts \$ ____ (FOR 74-92" SEVERE DUTY) <u>** (KIT IS 1 INDIVIDUAL TOOTH. 8 KITS = 8 INDIVIDUAL TEETH) Ex...8XS27.85=\$222.80**</u> (THIS TOOTH KIT WILL WORK ON PREVIOUS HD CI & SD CI BUCKETS ONLY) (TOOTH ASSEMBLY INCLUDES BOLT-ON SHANK WITH PIN-ON TOOTH) (HARDWARE INCLUDED)
7355992	Long Bolt-on Teeth Kit..... Parts \$ ____ (FOR 74-92" SEVERE DUTY) <u>** (KIT IS 1 INDIVIDUAL TOOTH. 8 KITS = 8 INDIVIDUAL TEETH) Ex...8XS27.85=\$222.80**</u> (THIS TOOTH KIT WILL WORK ON PREVIOUS HD CI & SD CI BUCKETS ONLY) (TOOTH ASSEMBLY INCLUDES BOLT-ON SHANK WITH PIN-ON TOOTH) (HARDWARE INCLUDED)
7107319	Standard Forged Tooth Point..... Parts \$ ____ (Replacement Pin-on Tooth Point for S130-T320 Buckets) (Qty. 1)
7107317	Hensley Forged Tooth Point..... Parts \$ ____ (Replacement Pin-on Tooth Point for S130-T320 Buckets) (Qty. 1)
7107320	Hensley Tiger Tooth Point..... Parts \$ ____ (It is recommended that the Hensley Twin Tiger Tooth Point p/n 7107321 be used at each end of the bucket when using the tiger tooth points) (Qty. 1)
7107321	Hensley Twin Tiger Tooth Point..... Parts \$ ____ (Qty. 1)

Bucket
VersaHANDLER®TTC ATTACHMENT

(62 - 80" HEAVY DUTY BUCKET) (74-92" SEVERE DUTY BUCKET)
(68 - 98" LIGHT MATERIAL BUCKET)

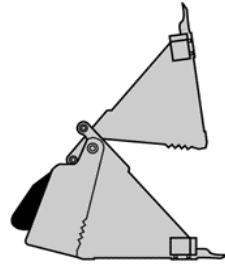
7196474	Bucket Spill Guard, Standard..... (Protects the operator, cab, tilt cylinders and Bob-Tach pivot area) (Includes a see through 44" Spill Guard and Hardware)	\$286.00
6729325	Bolt-On Side Guard Kit..... (For 98" Light Material Buckets) (Hardware included) (Changes Light Mat Profile to Utility Profile)	Parts \$ ____
6729084	Corner Cutting Edge..... (3/4" thick single bevel, threaded cutting g edge. Does not require nut) (Must order a quantity of 2) (Hardware not included—must order P/N 1C816, quantity 4)	Parts \$ ____

Destination Charge
 Refer to BobQuote or BobcatNET>>Other Resources>>Pricing Homepage for current Destination and Fuel Charges

	Assembly Required	Installation
Attachment		Time (Hrs)

Teeth.....	Bolt to Bucket.....	0.5
------------	---------------------	-----

Combination Bucket
VersaHANDLER® TTC ATTACHMENT



Quick Specs

84"

Operating Weight..... 1,109 lbs.
 Overall Width..... 85.4"
 SAE Capacity Heaped..... 19.3 ft³
 Number of Teeth..... 9 bolt-on
 Max Clamping Force..... 6,835 lbs.

Part Number	Description	Attachment	SLP in US \$
-------------	-------------	------------	--------------

(V519) 7167314	84" Combination Bucket.....		\$4,917.00
-------------------	-----------------------------	--	------------

Part Number	Description	Dealer Installed Accessories - Order From Parts	
-------------	-------------	---	--

For current Dealer Installed Accessories pricing, reference BobQuote or Dealer Parts Department.

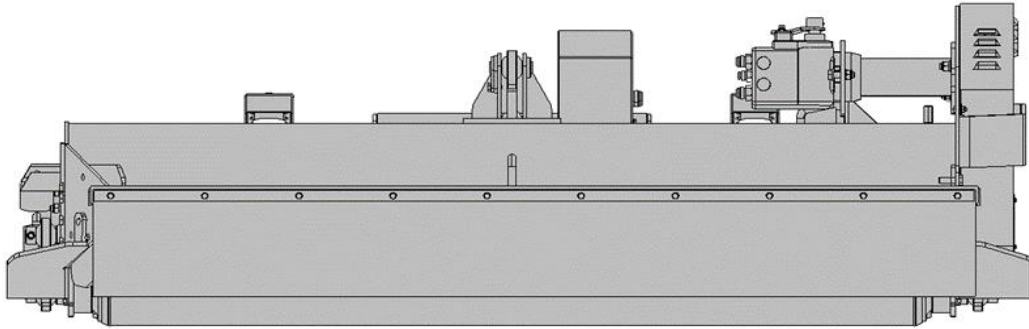
6737322	8 BOLT-ON TEETH KIT..... (Must purchase multiple of 8: 8x\$27.85=\$222.80) (Tooth Assembly includes Bolt-on Shank with Pin-on Tooth) (Hardware included)	Parts	\$ ____
6807069	BOLT-ON CUTTING EDGE, 84" (Hardware not included) (Estimated install time 1.5 hours)	Parts	\$ ____

Destination Charge
 Refer to BobQuote or BobcatNET>>Other Resources>>Pricing Homepage for current Destination and Fuel Charges

Attachment	Assembly Required	Installation Time (Hrs)
------------	-------------------	-------------------------

Combination Bucket.....	None.....	-
-------------------------	-----------	---

Flail Cutter
VersaHANDLER®TTC ATTACHMENT



Quick Specs

- Operating Weight..... 1,640 lbs.
- Cutting Width..... 79"
- Cutting Height..... 1.5" - 3"
- Overall Width..... 91"
- Flow..... 17 - 40 gpm
- Hammers..... 21
- Cutting Capacity..... Brush material up to 3" in diameter
- Blade Tip Speed..... 8,200 ft./min. @ 2,000 RPM
 9,000 ft./min. @ 2,200 RPM

Part Number	Description	Attachment	SLP in US \$
-------------	-------------	------------	--------------

(V519) 7101894	FC200 Flail Cutter.....		\$12,940.00
-------------------	-------------------------	--	-------------

Destination Charge
 Refer to BobQuote or BobcatNET>>Other Resources>>Pricing Homepage for current Destination and Fuel Charges

Attachment	Assembly Required	Installation Time (Hrs)
------------	-------------------	-------------------------

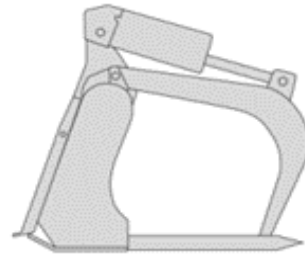
Flail Cutter.....	None.....	-
-------------------	-----------	---

Grapple, AG & Industrial

VersaHANDLER®TTC ATTACHMENT



Ag Grapple



Industrial Fork Grapple

Quick Specs

	<u>96" Ag Bkt.</u>	<u>78" Fork</u>
Operating Weight.....	1,728 lbs.	1,218 lbs.
Overall Grapple Width.....	96.45"	78.8"
# of Teeth - Factory.....	N/A	8
# of Teeth - Possible.....	N/A	15

Part Number	Attachment Description	SLP in US \$
(V519) 7166624	78" Industrial Fork Grapple, With 8 Teeth.....	\$4,996.00
(V723, V923) 7339833	96" Ag Bucket Grapple.....	\$6,489.00

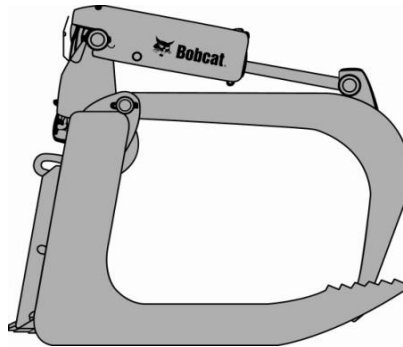
Destination Charge

Refer to BobQuote or BobcatNET>>Other Resources>>Pricing Homepage for current Destination and Fuel Charges

Attachment	Assembly Required	Installation Time (Hrs)
-------------------	--------------------------	--------------------------------

Industrial Grapple.....	None.....	-
-------------------------	-----------	---

Grapple Root
VersaHANDLER®TTC ATTACHMENT



Quick Specs

	82"
Operating Weight.....	1,130 lbs.
Height (closed).....	34.2"
Height (open).....	51.8"
Length.....	42.8"
Width.....	82.5"
Teeth.....	11

Part Number	Description	Attachment	SLP in US \$
(V519) 7168338	82" Root Grapple.....		\$4,089.00

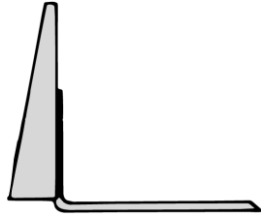
Destination Charge

Refer to BobQuote or BobcatNET>>Other Resources>>Pricing Homepage for current Destination and Fuel Charges

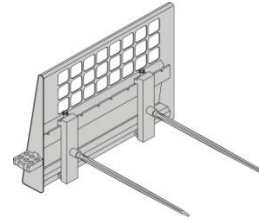
Attachment	Assembly Required	Installation Time (Hrs)

Pallet Fork (Fixed)

VersaHANDLER® TTC ATTACHMENT



Pallet Fork Teeth and Frame



Bale Forks (2) and Frame

Quick Specs

	V519		V723	
Frame	Fixed		Fixed	Fixed/SS
Weight.....	358 lbs.		717 lbs.	893 lbs.
Forks	42"	48"	Bale Forks	Single
Ship Weight (set of 2).....	215 lbs.	238 lbs.	119 lbs.	42.7 lbs.
Fork Width.....	4"	4"	4"	4"

Part Number	Attachment Description	SLP in US \$
-------------	------------------------	--------------

(V519)	7294332 Pallet Fork Frame, Heavy Duty, Less Teeth.....	\$649.00
	<i><u>Bale Forks</u></i>	
	6815781 Bale Forks, Set of 2.....	\$682.00
	<i><u>Pallet Forks</u></i>	
	6541521 42" Pallet Fork Teeth, Set of 2.....	\$402.00
	6541518 48" Pallet Fork Teeth, Set of 2.....	\$453.00
(V723, V923)	7329891 Pallet Fork Frame, with 47" Teeth.....	\$1,681.00
	7328474 Pallet Fork Frame, with 47" Teeth and Sideshift.....	\$3,625.00
	<i><u>Bale Fork</u></i>	
	7329894 Bale Fork, Single.....	\$342.00

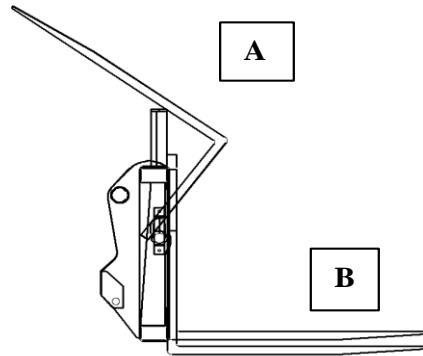
Destination Charge

Refer to BobQuote or BobcatNET>>Other Resources>>Pricing Homepage for current Destination and Fuel Charges

Attachment	Assembly Required	Installation Time (Hrs)
------------	-------------------	-------------------------

Pallet Fork Frame.....	Install forks on frame (V519 only).....	0.25
------------------------	---	------

Pallet Fork (Floating)
VersaHANDLER® TTC ATTACHMENT



A – Lowback Forks will float and pivot up B – Highback Forks will float only

Quick Specs

<u>Pallet Frames</u>	<u>48" Pallet Fork Frame</u>	<u>44" Frame</u>	<u>60" Frame</u>
Operating Weight.....	492 lbs.	617 lbs.	662 lbs.
Frame Width.....	49.9"	44.1"	60"
Frame Height.....	51.7"	-	-
<u>Pallet Forks</u>	<u>Lowback Forks</u>	<u>Highback Forks</u>	
Operating Weight (set of 2).....	272 lbs.	316 lbs.	
Fork Width.....	4"	4"	
Fork Back Height.....	26"	39"	
Fork Length.....	48"	48"	
Float up/down.....	3"	-	
Rotation.....	144°	-	

Part Number	Description	Attachment	SLP in US \$
(V519)			
7140717	48" Pallet Fork Frame, Less Teeth.....		\$1,866.00
6810302	48" Lowback Pallet Fork Teeth, set of 2.....		\$966.00
6810301	48" Highback Pallet Fork Teeth, set of 2.....		\$1,242.00
(V723)			
7329892	44" Pallet Fork Frame, with 2 Low Back Forks.....		\$1,734.00
(V723, V923)			
7369521	60" Pallet Fork Frame, with 2 Low Back Forks.....		\$1,941.00

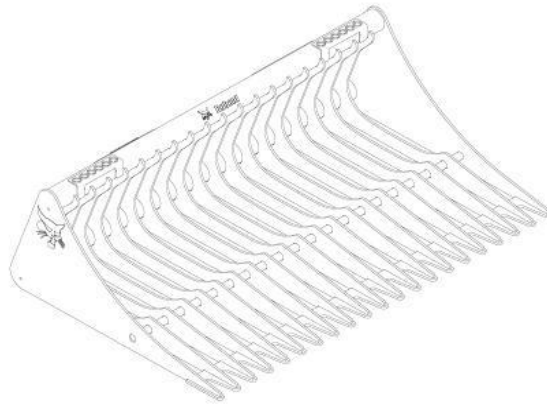
Destination Charge

Refer to BobQuote or BobcatNET>>Other Resources>>Pricing Homepage for current Destination and Fuel Charges

Assembly Required

Attachment	Installation Time (Hrs)
Pallet Fork Frame..... Install forks on frame (V519 only).....	0.25

Rock Bucket
VersaHANDLER®TTC ATTACHMENT



Quick Specs

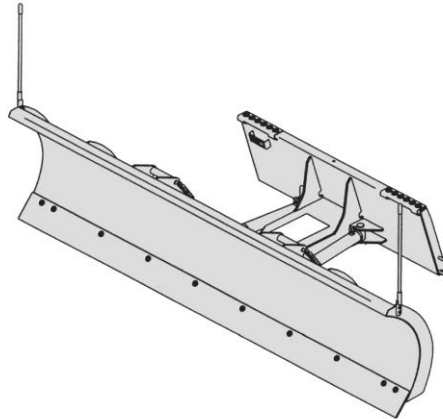
Operating Weight.....	82" 700 lbs.
Overall Width.....	82.1"
Overall Height.....	20.8"
Overall Length (Bucket Lip or Bottom of Bucket.....)	43.57"
Tine Spacing.....	3"
Number of Tines.....	23

Part Number	Description	Attachment	SLP in US \$
(V519) 7185947	82" Rock Bucket.....		\$1,837.00

Destination Charge

Refer to BobQuote or BobcatNET>>Other Resources>>Pricing Homepage for current Destination and Fuel Charges

Snow Blade
VersaHANDLER®TTC ATTACHMENT



Quick Specs

	108" HD
Operating Weight.....	948 lbs.
Width.....	108"
Height.....	28.5"
Working Width (Fully Angled).....	94"
Steel Cutting Edge.....	.5" x 6"
Cylinders.....	1
Trip Springs.....	6
Optional Rubber Cutting Edge.....	1" x 6"

Part Number	Description	Attachment	SLP in US \$
-------------	-------------	------------	--------------

(V519)	7207863	108" Snow Blade - Heavy Duty (With Hydraulic Angle).....	\$4,535.00
--------	---------	--	------------

Part Number	Description
-------------	-------------

For current Dealer Installed Accessories pricing, reference BobQuote or Dealer Parts Department.

7165988	End Wing Kit..... (Converts 86", 96", & 108" HD Snow Blades into Snow Pushers)	Parts	\$ ____
7169615	Rubber Wear Edge Kit, 108" HD.....	Parts	\$ ____
7169618	Poly Wear Edge Kit, 108" HD.....	Parts	\$ ____
7160646	Replacement Cutting Edge, 108" HD*.....	Parts	\$ ____

- * Additional hardware for replacement cutting edges is needed.
- Certain applications may cause premature wear of the Rubber Wear Edge.

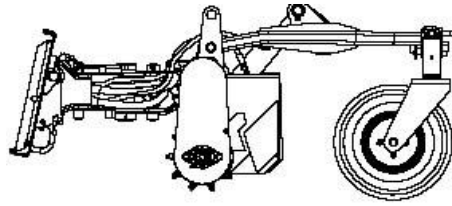
Snow Blade

VersaHANDLER[®]TTC ATTACHMENT

Destination Charge
 Refer to BobQuote or BobcatNET>>Other Resources>>Pricing Homepage for current Destination and Fuel Charges

Attachment	Assembly Required	Installation Time (Hrs)
Snow Blade.....	Adjust shoes & install blade edge indicators.....	0.25
End Wing Kit.....	Install Wings.....	0.25
Replacement Cutting Edge Kits.....	Bolt on edge.....	0.50

Soil Conditioner
VersaHANDLER® TTC ATTACHMENT



Quick Specs

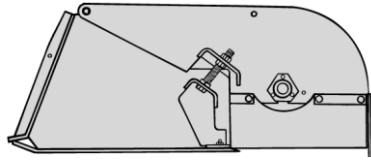
	84" Hydraulic
Overall Length.....	67.9"
Overall Width.....	98.2"
Working Width (Fully Angled).....	76.0"
Degree of Angle - Left or Right.....	25 deg.
Number of Teeth.....	141
Operating Weight.....	1,268 lbs.
Hydraulic Requirements.....	18-37 gpm
Tires.....	Foam-Filled
Float or Lock Position.....	Both
Depth Adjustment.....	Hydraulic

Part Number	Description	Attachment	SLP in US \$
(V519) 7135946	84" Soil Conditioner, Hydraulic Angle.....		\$10,196.00

Destination Charge
 Refer to BobQuote or BobcatNET>>Other Resources>>Pricing Homepage for current Destination and Fuel Charges

Attachment	Assembly Required	Installation Time (Hrs)
Soil Conditioner.....	None.....	-

Sweeper
VersaHANDLER® TTC ATTACHMENT



Quick Specs

	<u>84"</u>
Operating Weight.....	1,029 lbs.
Sweep Width.....	84"
Overall Attachment Width.....	89.9"
Bucket Capacity.....	18.5 cu. ft.
Broom Diameter.....	24"
Bristle Sections (Included).....	42
Bristle Material.....	Replaceable Polypropylene sections (steel sections available)
Cutting Edge (Repl. Steel).....	5/8" x 6"
Broom RPM @ 10 GPM.....	215 @ 15 GPM
Travel.....	Forward/Reverse

Part Number	Attachment Description	SLP in US \$
-------------	------------------------	--------------

(V519)	7112646 84" Sweeper.....	\$5,063.00
---------------	-------------------------------	------------

Part Number	Dealer Installed Accessories - Order From Sales Description
-------------	---

7122418	Gutter Brush..... \$1,358.00 (Includes hoses, couplers, steel bristles, mounting frame, hardware and control valve) (Estimated install time 2 hours) (Ship Weight 145 lbs.)	
---------	--	--

Part Number	Dealer Installed Accessories - Order From Parts Description
-------------	---

For current Dealer Installed Accessories pricing, reference BobQuote or Dealer Parts Department.

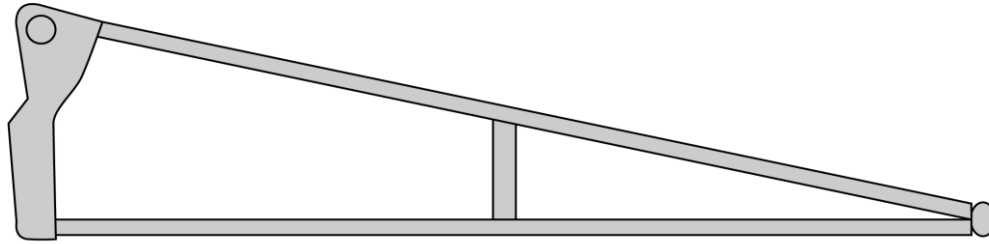
7122537	Wheel Kit, 84"..... Parts \$ ____ (Add-on for the 84" Sweeper) (Limits surface damage due to scrapes and scratches) (Includes hardware, two wheels and gas shocks) (Estimated install time 2 hours)	
7104254	Bolt-On Cutting Edge, 84"..... Parts \$ ____ (Hardware not included) (Estimated install time 1.5 hours)	

Destination Charge
Refer to BobQuote or BobcatNET>>Other Resources>>Pricing Homepage for current Destination and Fuel Charges

Attachment	Assembly Required	Installation Time (Hrs)
------------	-------------------	-------------------------

Sweeper.....	None.....	-
Gutter Brush.....		2.0

Truss Boom
VersaHANDLER®TTC ATTACHMENT



Quick Specs

Boom Weight..... 558 lbs.
 Boom Height..... 19.3"
 Boom Length..... 146"

Part Number	Description	Attachment	SLP in US \$
(V519) 7140714	12' Truss Boom <small>(Truss Boom is outfitted with Bob-Tach® Mounting system tabs to prevent use on any carrier other than the V417 or V519)</small>		\$1,887.00

Destination Charge
 Refer to BobQuote or BobcatNET>>Other Resources>>Pricing Homepage for current Destination and Fuel Charges

Attachment	Assembly Required	Installation Time (Hrs)
Truss Boom.....	None.....	-